

wafer-lug kelebek vana

wafer-lug butterfly valve

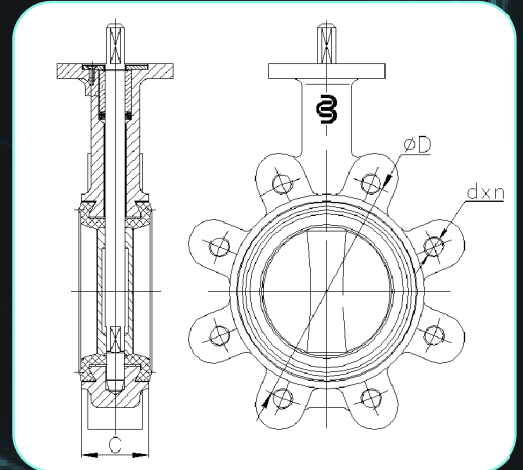


DN32-DN1200 Kelebek Vanalar

- EN593 ve API609 standartlarına uygun,
- Lug ve Wafer tip,
- PN6-PN10-PN16-PN20 ve CLASS 150 basınç sınıfı,
- GGG40 (sfero döküm), GSC25N (çelik döküm), ASTM A 216WCB (çelik döküm), ASTM A126CLB (pik döküm), CF8M (paslanmaz döküm) AISI316L gövde,
- GGG40 (sfero döküm), CF8M (paslanmaz döküm), AISI316L, Alüminyum Bronz disk,
- EPDM, H-EPDM, NBR, VİTON, SİLİKON, HYPALON, NEOPREN conta.

DN32-DN1200 Butterfly Valves

- According to EN593 and API609 standards,
- Lug and Wafer type,
- PN6-PN10-PN16-PN20 and CLASS 150 pressure class,
- GGG40 (ductile iron), GSC25N (cast steel), ASTM A 216WCB (cast steel), ASTM A126CLB (gray iron), CF8M (stainless steel) AISI316L body,
- GGG40 (ductile iron), CF8M (stainless steel), AISI316L, Aluminium Bronze disc,
- EPDM, H-EPDM, NBR, VITON, SILICON, HYPALON, NEOPREN seat.



	DN	32	40	50	65	80	100	125	150	200	250	300	350	400	450
	C	33	33	43	46	46	52	56	56	60	68	78	78	102	114
PN6	D	90	100	110	130	150	170	200	225	280	335	395	445	495	550
	d	M12	M12	M12	M12	M16	M16	M16	M16	M16	M16	M20	M20	M20	M20
	n	4	4	4	4	4	4	8	8	8	12	12	12	16	16
PN10	D	100	110	125	145	160	180	210	240	295	350	400	460	515	565
	d	M16	M16	M16	M16	M16	M16	M16	M20	M20	M20	M20	M20	M24	M24
	n	4	4	4	4	8	8	8	8	8	12	12	16	16	20
PN16	D	100	110	125	145	160	180	210	240	295	355	410	470	525	585
	d	M16	M16	M16	M16	M16	M16	M16	M20	M20	M24	M24	M24	M27	M27
	n	4	4	4	4	8	8	8	8	12	12	12	16	16	20
ANSI 150	D	88,9	98,4	120,6	139,7	152,4	190,5	215,9	241,3	298,4	361,9	431,8	476,2	539,7	577,8
	d	1/2"	1/2"	5/8"	5/8"	5/8"	5/8"	3/4"	3/4"	3/4"	7/8"	7/8"	1"	1"	1 1/8"
	n	4	4	4	4	4	8	8	8	8	12	12	12	16	16